

CJ-73 Condensers, Jacketed Coil

Cat. No.	Joint	Length mm
1444	19/26	150
1445	24/29	150
1446	29/32	150
1447	29/32	300
1448	34/35	300
1449	34/35	450

CJ-74 Condensers, Jacketed Coil, Vertical

Cat. No.	Joint	Length mm
1450	34/35	150
1451	34/35	300

CPC-75 Condensers, Coiled Distillate (PRODUCT COOLER)

Cat. No.	Joint	Length mm
1452	14/23	180
1453	19/26	200
1454	24/29	300
1455	24/29	400
1456	24/29	500
1457	29/32	400
1458	34/35	400
1459	34/35	600

CI-76 Condensers, Independent Double Coil

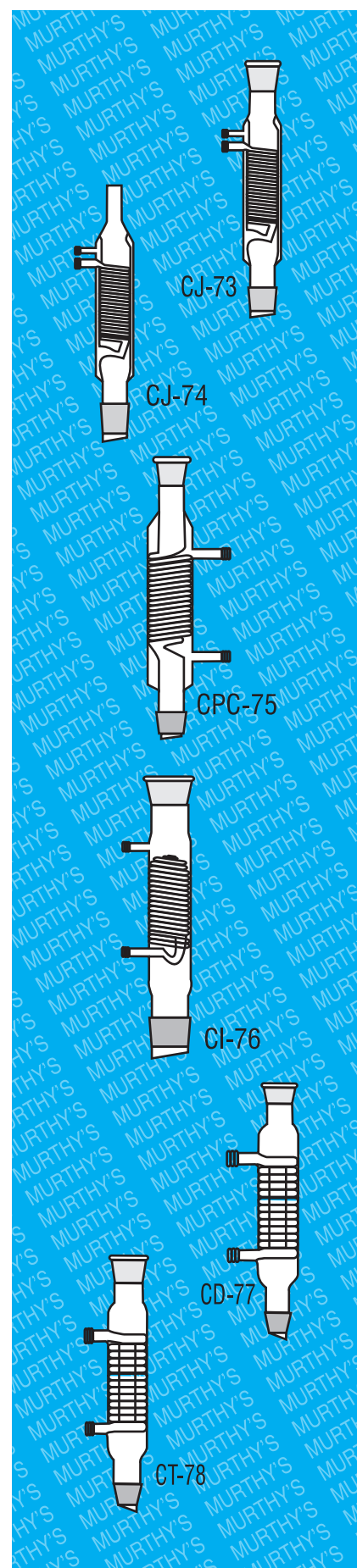
Cat. No.	Joint	Length mm
1460	19/26	200
1461	24/29	200
1462	24/29	300
1463	34/35	300
1464	34/35	450

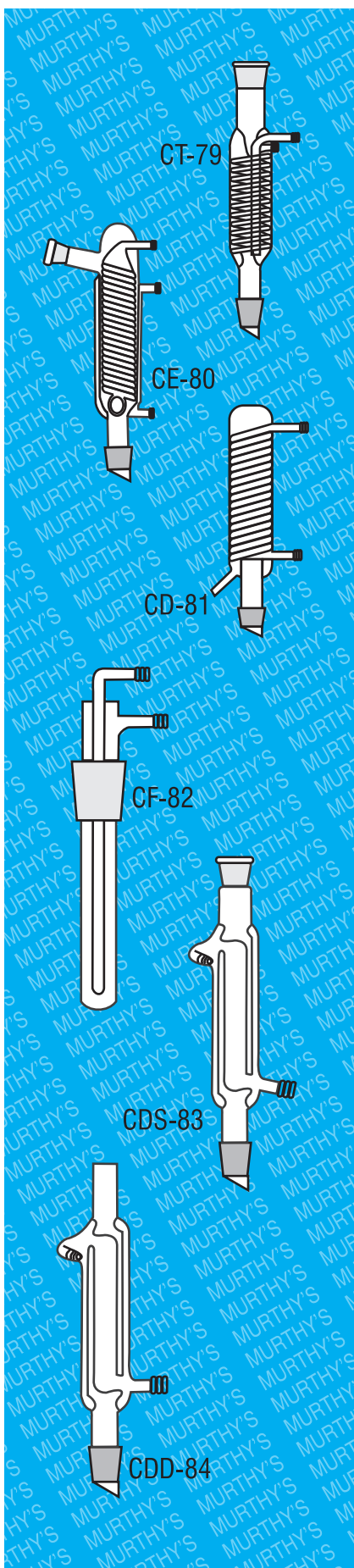
CD-77 Condensers, Combined Double Coil

Cat. No.	Joint	Length mm
1465	29/32	230
1466	29/32	380
1467	34/35	230
1468	34/35	380
1469	34/35	450

CT-78 Condenser, Triple Coil

Cat. No.	Joint	Length mm
1470	34/35	450
1471	45/40	425





CT-79 Condensers, Inland Revenue (THORPE)

Cat. No.	Joint	Length mm
1472	19/26	200
1473	24/29	200
1474	24/29	300

CE-80 Condensers, Ether

Cat. No.	Socket	Cone	Length mm
1475	19/26	24/29	180

CD-81 Condensers, Vertical Distillate

Cat. No.	Cone	Height mm
1476	34/35	350

CF-82 Condensers, Immersion (COLD FINGER)

Cat. No.	Cone	Height mm
1477	19/26	100
1478	24/29	200
1479	29/32	200
1480	34/35	250
1481	55/44	300

CDS-83 Condenser, Double Surface (DAVIES)

Cat. No.	Joint	Length mm
1482	10/19	100
1483	14/23	200
1484	19/26	200
1485	19/26	300
1486	24/29	200
1487	24/29	300
1487/a	24/29	450
1487/b	D/34	300
1488	34/35	450
1489	24/29	600
1490	34/35	600

CDD-84 Condensers, Double Surface (DAVIES)

Cat. No.	Cone	Length mm
1491	19/26	200
1492	24/29	200
1493	29/32	200
1494	34/35	200
1495	40/38	300
1496	45/40	300
1497	55/44	300

CA-85 Condensers, Allihn

Cat. No.	Joint	Length mm
1498	19/26	300
1499	24/29	300
1500	24/29	400
1501	24/29	500
1502	24/29	600

CA-86 Condensers, Allihn, Vertical

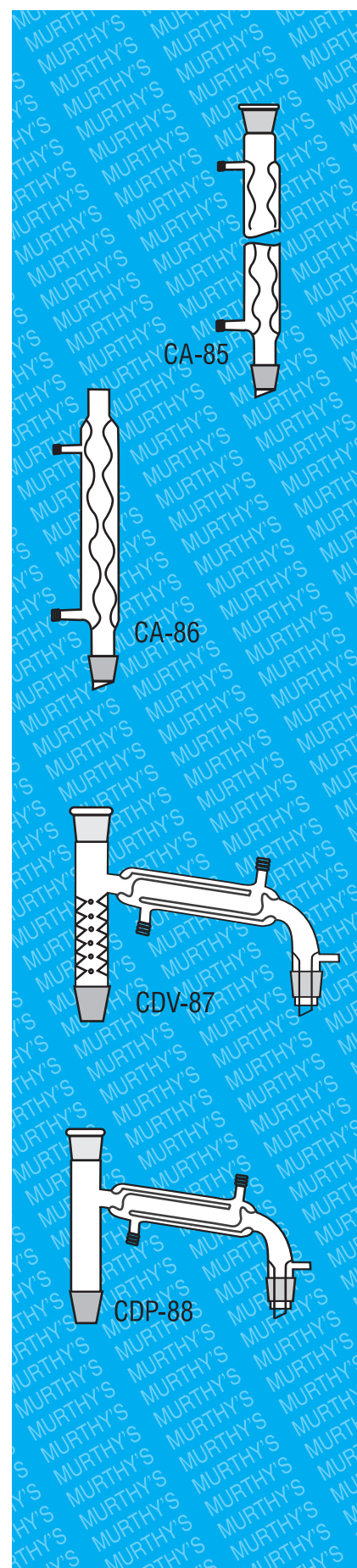
Cat. No.	Cone	Length mm
1503	19/26	200
1504	24/29	200
1505	29/32	200
1506	34/35	200
1507	40/38	200
1508	45/40	300
1509	55/44	300

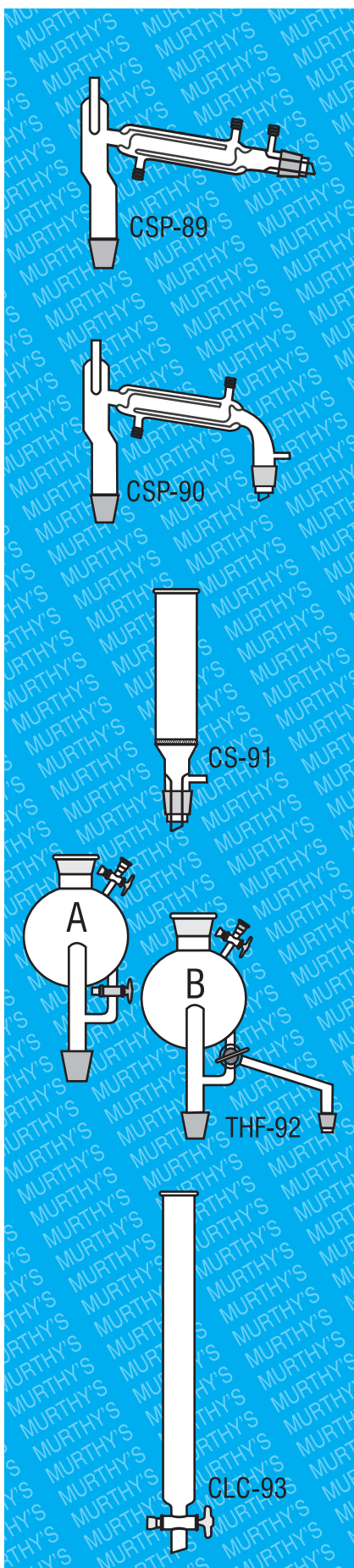
CDV-87 Distillation Condensers with Vigreux, Double Surface

Cat. No.	Length mm	Joints
1510	100x50	19/26
1511	100x50	24/29
1512	150x50	19/26
1513	150x50	24/29
1514	150x100	19/26
1515	150x100	24/29
1516	200x160	19/26
1517	250x150	24/29
1518	250x200	19/26
1519	250x200	24/29

CDP-88 Condensers Distillate Plain, Double Surface

Cat. No.	Length mm	Joints
1520	100x55	14/23
1521	100x55	19/26
1522	100x55	24/29
1523	150x55	14/23
1524	150x55	19/26
1525	150x55	24/29
1526	150x55	34/35





CSP-89 Short Path condensers, Double Surface

Cat. No.	Length mm	Joints
1527	100x55	14/23
1528	100x55	19/26
1529	100x55	24/29
1530	150x55	14/23
1531	150x55	19/26
1532	150x55	24/29

CSP-90 Short path condensers, Double surface with bent vacuum connection

Cat. No.	Length mm	Joints
1533	100 x 55	14/23
1534	100 x 55	19/26
1535	100 x 55	24/29
1536	150 x 55	14/23
1537	150 x 55	19/26
1538	150 x 55	24/29

CS-91 Sintered condenser column with vacuum Connection

Cat. No.	Cap ml.	Joints
1539	100	24/29
1540	150	24/29
1541	250	24/29

THF-92 THF distillation apparatus (or) solvent reservoir with PTFE Stopcock

Cat. No.	Cap ml.	Joints
1542	250	19/26
1543	250	24/29
1544	500	19/26
1545	500	24/29
1546	1000	29/32

CLC-93 Chromatography Columns, Plain with Glass Stopcock

Cat. No.	Dia. mm	Length mm
1547	30	400
1548	30	600
1549	30	800
1550	30	1000
1551	40	600
1552	40	700
1553	40	1000
1554	50	600
1555	50	1000
1556	60	600
1557	60	1000
1558	70	600

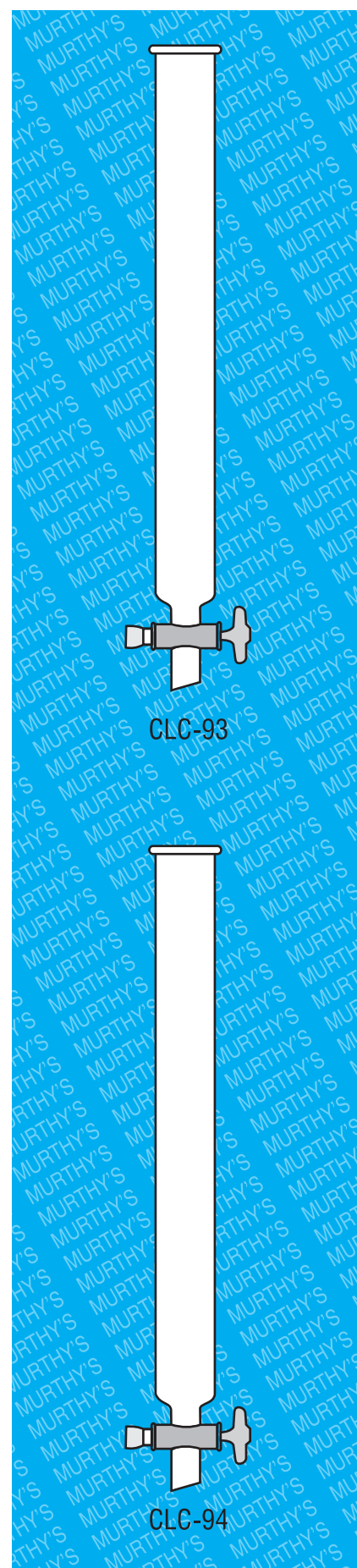
For More Sizes See Next Page

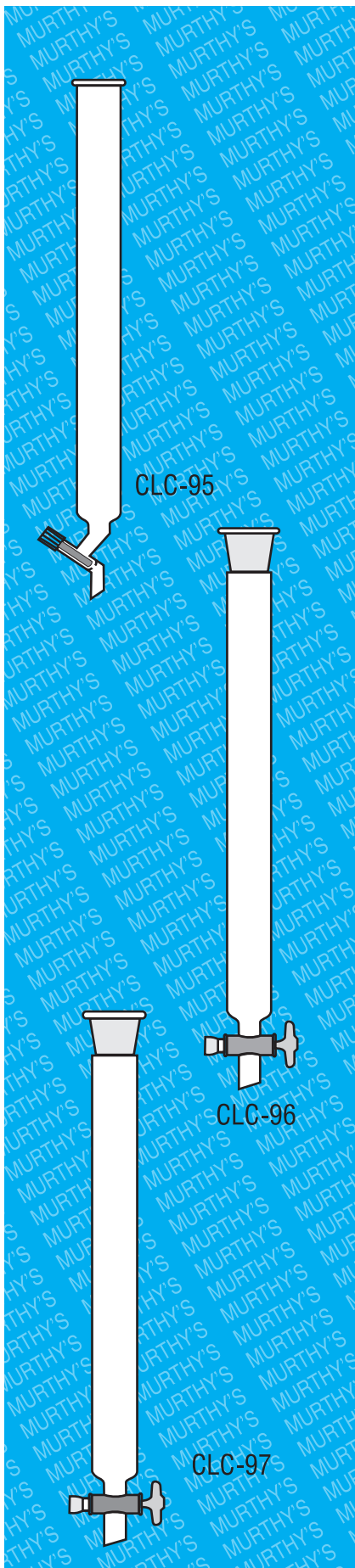
CLC-93 Chromatography Columns, Plain with Glass Stopcock

Cat. No.	Dia. mm	Length mm
1559	70	1000
1560	80	600
1561	80	1000
1562	90	600
1563	90	1000
1564	100	600
1565	100	1000
1566	120	600
1567	120	1000
1568	150	600
1569	150	1000
1570	160	600

CLC-94 Chromatography Columns with PTFE Stopcock

Cat. No.	Dia. mm	Length mm
1571	30	600
1572	30	1000
1573	40	400
1574	40	600
1575	40	1000
1576	50	600
1577	50	700
1578	50	1000
1579	60	600
1580	60	1000
1581	70	600
1582	70	1000
1583	80	600
1584	80	1000
1585	90	600
1586	90	1000
1587	100	600
1588	100	1000
1589	110	600
1590	110	1000
1591	120	600
1592	120	1000
1593	150	1000





CLC-95 Columns, Chromatography Plain with Screwcock

Cat. No.	Dia mm	Length mm
1594	30	600
1595	30	1000
1596	40	600
1597	40	700
1598	40	1000
1599	60	600
1600	60	1000
1601	75	500
1602	75	1000
1603	80	500
1604	80	1000
1605	100	500
1606	100	1000
1607	120	500
1608	120	1000

CLC-96 Chromatography Columns, with standard joint with Glass stopcock

Cat. No.	Dia.mm	Socket	Length.mm
1609	16	14/23	150
1610	16	14/23	300
1611	22	19/26	300
1612	22	19/26	450
1613	30	24/29	450
1614	30	24/29	600
1615	40	29/32	600
1616	40	29/32	700
1617	60	34/35	500
1618	60	34/35	1000
1619	75	55/44	1000
1620	80	55/44	1000
1621	100	55/44	1000

CLC-97 Chromatography Columns, with standard joint with PTEF stopcock

Cat. No.	Dia.mm	Socket	Length.mm
1622	16	14/23	150
1623	16	14/23	300
1624	22	19/26	300
1625	22	19/26	450
1626	30	24/29	450
1627	30	24/29	600
1628	40	29/32	600
1629	40	29/32	700
1630	60	34/35	500
1631	60	34/35	1000
1632	75	55/44	1000
1633	80	55/44	1000
1634	100	55/44	1000

CLC-98 Chromatography Columns, Sintered disc and Glass S/C G1 to G4

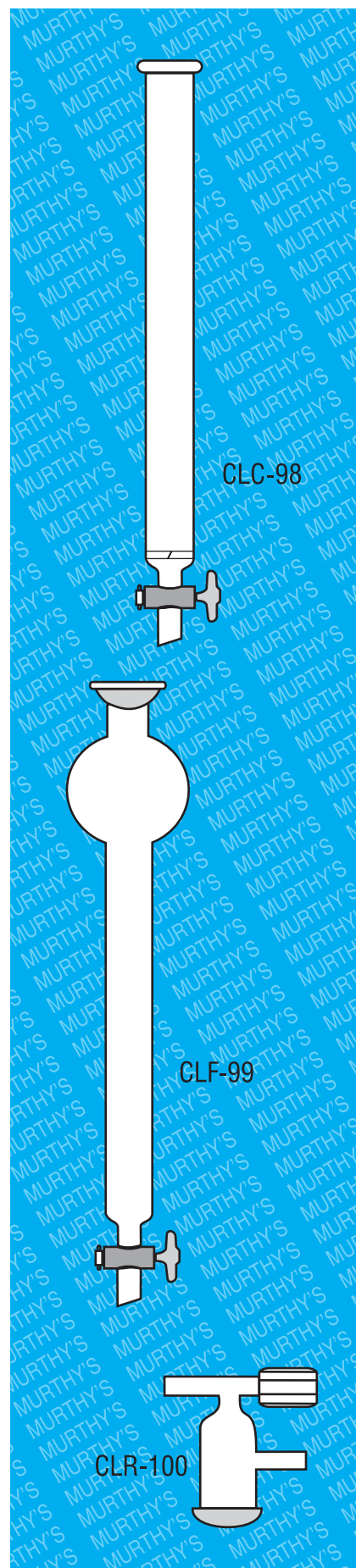
Cat. No.	Dia.mm	Length.mm
1635	10	150
1636	10	300
1637	18	300
1638	18	450
1639	30	450
1640	30	600
1641	40	600
1642	40	700
1643	60	500
1644	60	1000
1645	75	1000
1646	80	1000
1647	100	1000

CLF-99, Flash Columns Plain With Stopcock (PTFE & S-35 joint)

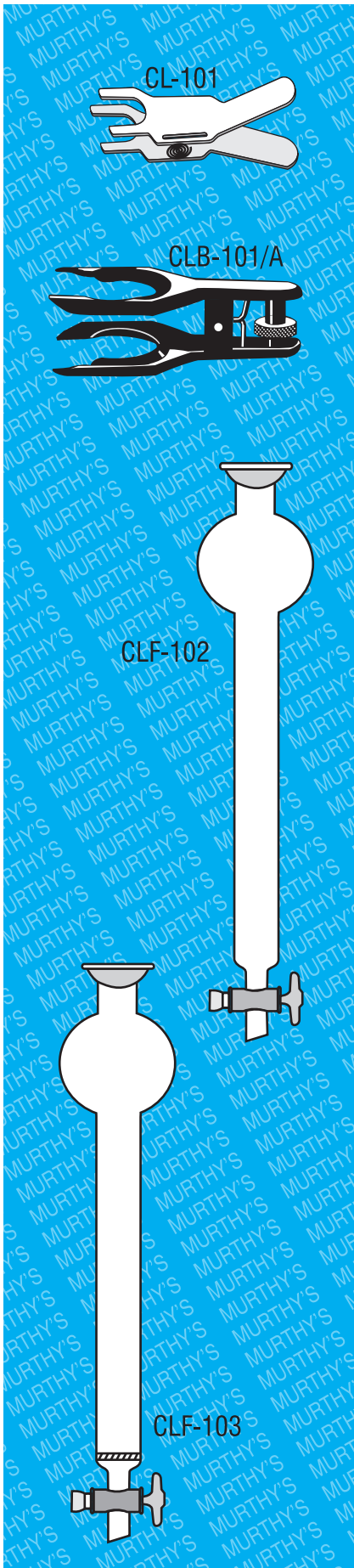
Cat. No.	Dia.mm	Length.mm	RBF
1648	15	300	100
1649	15	400	100
1650	16	450	100
1651	20	210	150
1652	20	400	150
1653	30	300	150
1654	30	450	250
1655	36	300	250
1656	36	450	500
1657	40	350	500
1658	40	500	500
1659	42	450	500
1660	45	300	500
1661	45	450	500
1662	50	400	500
1663	50	600	500
1664	55	450	500
1665	55	600	500
1666	60	400	500
1667	60	650	1000
1668	60	700	1000
1669	75	650	1000
1670	80	500	1000
1671	80	650	1000

CLR-100 Flash Column, Regulators with Screw Cock

Cat. No.	joint
1672	S-35
1673	S-51



For Clamps See Next Page



CL-101 Flash Column Clamps

Cat. No.	joint
1674	S-35
1675	S-51

CLB-101/A Buchi Clamps

Cat. No.	joint
1675/a	S-29
1675/b	S-35

CLF-102 Flash Columns plain with stop cock P.T.F.E. & S-51 Joint

Cat. No.	Dia.mm	Length.mm	RBF
1676	15	300	100
1677	15	400	100
1678	16	450	100
1679	20	210	150
1680	20	400	150
1681	30	300	150
1682	30	450	250
1683	36	300	250
1684	36	450	500
1685	40	350	500
1686	40	500	500
1687	42	450	500
1688	45	450	500
1689	50	400	500
1690	50	600	500
1691	55	450	500
1692	55	600	500
1693	60	400	500
1694	60	650	1000
1695	60	700	1000
1696	75	650	1000
1697	80	500	1000
1698	80	650	1000

CLF-103 Flash Columns Sintered Disc G1 to G4 with PTFE S/C S-35 Joint

Cat. No.	Dia.mm	Length.mm	RBF
1699	15	300	100
1700	15	400	100
1701	16	450	100
1702	20	210	150
1703	20	400	150
1704	30	300	150
1705	30	450	250
1706	36	300	250

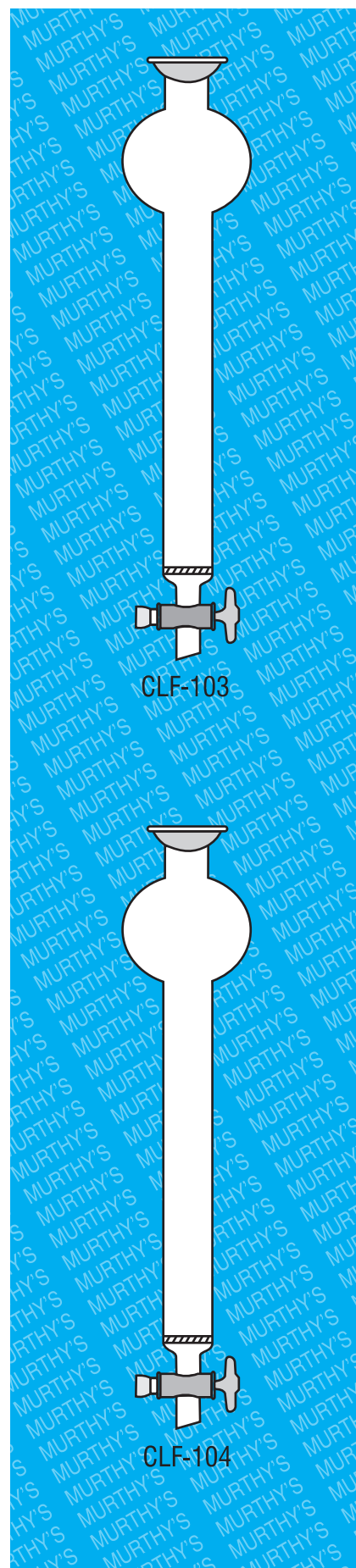
For More Sizes See Next Page

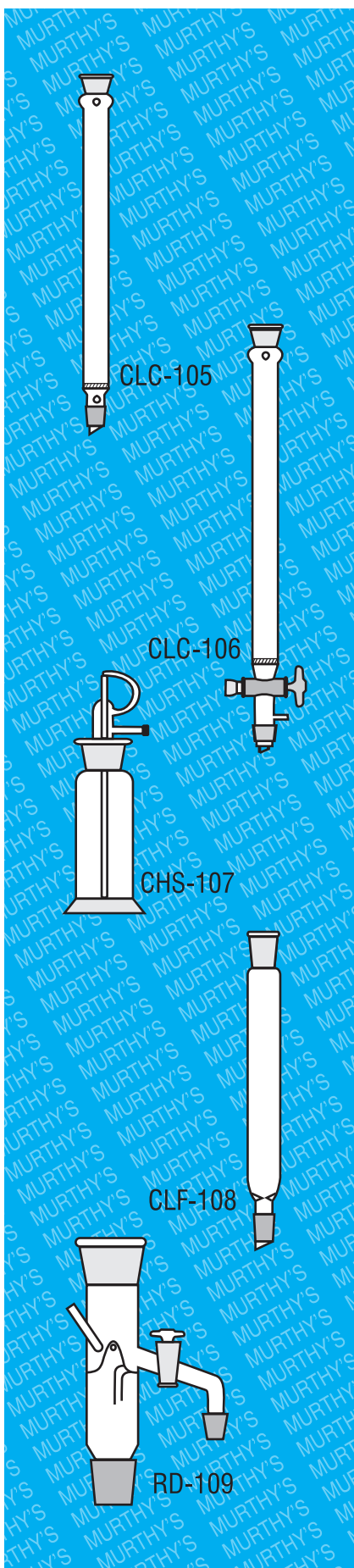
CLF-103 Flash Columns With Sintered Disc G1 to G4 with PTFE Stopcocks S-35 Joint

Cat. No.	Dia.mm	Length.mm	RBF
1707	36	450	500
1708	40	350	500
1709	40	500	500
1710	42	450	500
1711	45	300	500
1712	45	450	500
1713	50	400	500
1714	50	600	500
1715	55	450	500
1716	55	600	500
1717	60	400	500
1718	60	650	1000
1719	60	700	1000
1720	75	650	1000
1721	80	500	1000
1722	80	650	1000

CLF-104 Flash Columns with Sintered Disc G1 to G4 with PTFE Stopcocks S-51 Joint

Cat. No.	Dia.mm	Length.mm	RBF
1723	15	300	100
1724	15	400	100
1725	16	450	100
1726	20	210	150
1727	20	400	150
1728	30	300	150
1729	30	450	250
1730	36	300	250
1731	36	450	500
1732	40	350	500
1733	40	500	500
1734	42	450	500
1735	45	300	500
1736	45	450	500
1737	50	400	500
1738	50	600	500
1739	55	450	500
1740	55	600	500
1741	60	400	500
1742	60	650	1000
1743	60	700	1000
1744	75	650	1000
1745	80	500	1000
1746	80	650	1000





CLC-105 Chromatography columns, with Integral Sinter

Cat. No.	Dia.mm	Lenght.mm	Socket	Cone
1747	10	200	14/23	19/26
1748	10	300	14/23	19/26
1749	10	400	14/23	19/26
1750	18	200	24/29	19/26
1751	18	300	24/29	19/26
1752	18	400	24/29	19/26
1753	30	200	34/35	24/29
1754	30	300	34/35	24/29
1755	30	400	34/35	24/29

CLC-106 Chromatography columns, with vacuum Connection

Cat. No.	ID.mm	Length.mm	Socket	Cone
1756	10	100	14/23	19/26
1757	10	200	14/23	19/26
1758	10	300	14/23	19/26
1759	18	100	24/29	19/26
1760	18	200	24/29	19/26
1761	18	300	24/29	19/26
1762	30	100	34/35	24/29
1763	30	300	34/35	24/29
1764	30	400	34/35	24/29

CHS-107 Spray For Chromatography

Cat. No.	Cap.ml
1764/a	15
1765	25
1766	50
1767	100

CLF-108 Fractionating Columns Plain

Cat. No.	Socket	Cone	Length.mm
1768	19/26	19/26	300
1769	24/29	24/29	300
1770	24/29	24/29	450
1771	24/29	24/29	600
1772	29/32	29/32	450
1773	29/32	29/32	600
1774	34/35	34/35	450
1775	34/35	34/35	600
1776	34/35	34/35	1000
1777	55/55	55/55	600

RD-109 Reflux Divider Apparatus

Cat. No.	Socket&Cone
1778	55/55

Any Joint Rates Are Unchanged