

PES-148 Pressure Equalising Funnels, Spherical PTFE Stopcock

Cat. No.	Cap ml	Socket	Cone
2098	100	19/26	19/26
2099	100	24/29	19/26
2100	100	24/29	24/29
2101	100	29/32	29/32
2102	250	24/29	19/26
2103	250	24/29	24/29
2104	250	29/32	29/32
2105	250	34/35	34/35

PEC-149 Pressure Equalising Funnels, Cylindrical Glass Stop cock

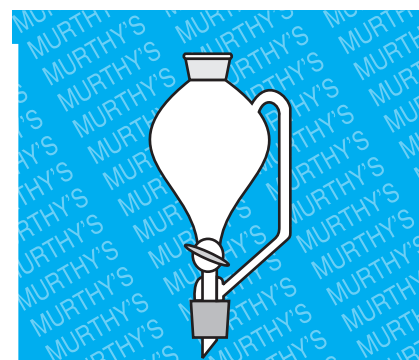
Cat. No.	Cap ml	Socket	Cone
2105/a	50	19/26	19/26
2106	100	19/26	19/26
2107	250	24/29	19/26
2108	250	24/29	24/29
2109	500	24/29	19/26
2110	500	24/29	24/29
2111	500	24/29	29/32
2112	1000	24/29	24/29

PEC-150 Pressure Equalising Funnels, Cylindrical PTFE Stop cock

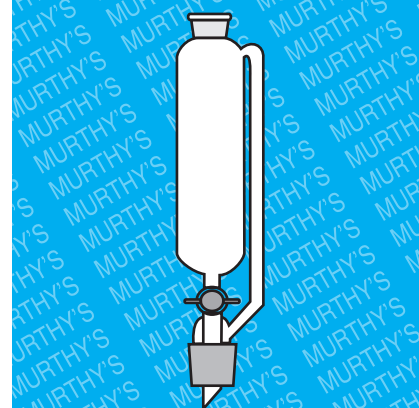
Cat. No.	Cap ml	Socket	Cone
2113	100	19/26	19/26
2114	250	24/29	19/26
2115	250	24/29	24/29
2116	500	24/29	19/26
2117	500	24/29	24/29
2118	500	24/29	29/32
2119	1000	24/29	24/29

GC-151 Gooch Crucibles

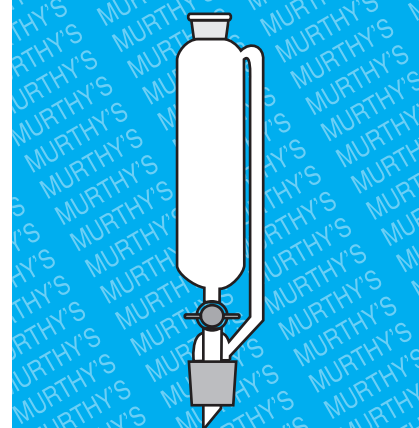
Cat. No.	Cap ml	Disc Dia mm	Por
2220	15	20	1
2221	15	20	2
2222	15	20	3
2223	15	20	4
2224	30	30	1
2225	30	30	2
2226	30	30	3
2227	30	30	4
2228	50	40	1
2229	50	40	2
2230	50	40	3
2231	50	40	4



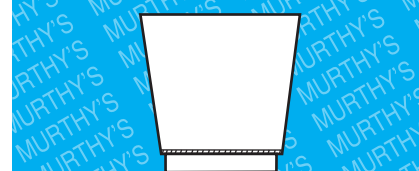
PES-148



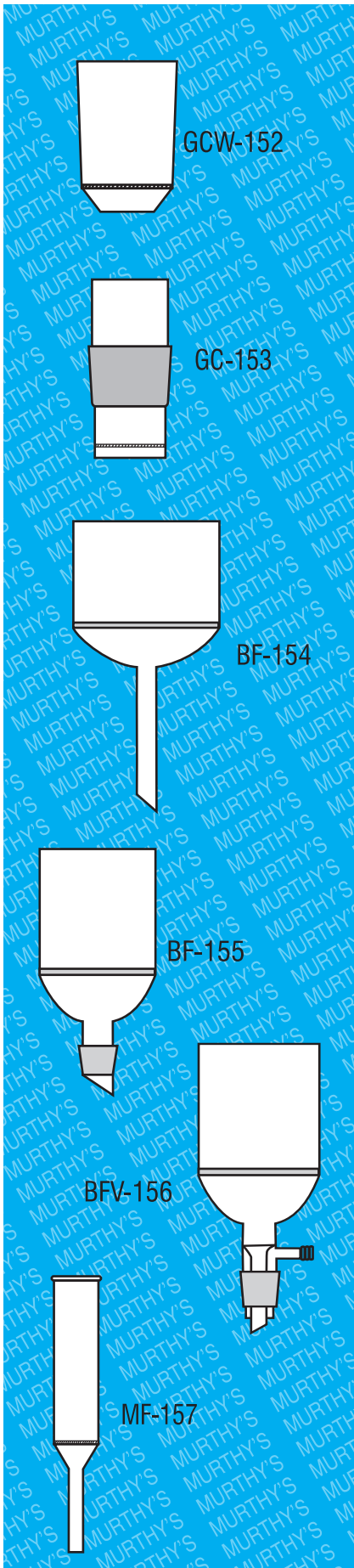
PEC-149



PEC-150



GS-151



GCW-152 Gooch Crucibles (WESTERN TYPE)

Cat. No.	Cap ml	Disc Dia mm	Por
2232	15	20	1,2,3,4
2236	30	30	1,2,3,4
2240	50	40	1,2,3,4

GC-153 Gooch Crucibles with 40/26 Cone Joint

Cat. No.	Cap ml	Disc Dia mm	Por
2244	50	30	1,2,3,4

BF-154 Buchner Filter (Glass with Sintered)

Cat. No.	Cap ml	Disc Dia.mm	Por
2248	35	30	1,2,3,4
2252	80	40	1,2,3,4
2256	200	65	1,2,3,4
2260	500	90	1,2,3,4
2264	1000	120	1,2,3,4
2268	1500	120	1,2,3,4

BF-155 Buchner Filter, with 29/32 Cone

Cat. No.	Cap ml	Cone	Disc	Por
2272	200	14/23	65	1
2273	200	19/23	65	2
2274	200	24/29	65	3
2275	200	29/30	65	4
2276	500	19/23	90	1
2277	500	24/29	90	2
2278	500	29/32	90	3
2279	500	34/35	90	4

BFV-156 Buchner Filter, with Vacuum connection

Cat. No.	Cap ml	Cone	Disc	Por
2280	200	14/23	65	1
2281	200	19/23	65	2
2282	200	24/29	65	3
2283	200	29/32	65	4
2284	500	19/23	90	1
2285	500	24/29	90	2
2286	500	29/32	90	3
2287	500	34/35	90	4

MF-157 Mercury Filters

Cat. No.	Cap ml	Disc	Por
2288	130	30	1,2,3,4

GFT-158 Gas Filtering Tubes (PIPELINE FILTERS)

Cat. No.	Disc	Por
2292	30	1,2,3,4
2296	40	1,2,3,4
2300	50	1,2,3,4
2303	65	1,2,3,4
2307	90	1,2,3,4

GCA-159 Adapters for Gooch Crucible with Standard Joints

Cat. No.	Cone	Socket
2311	29/32	40/26

SB-160 Salt Bridge

Cat. No.	Description
2312	with two limbs of 100m long and 58mm apart Disc diameter 10mm and porosity

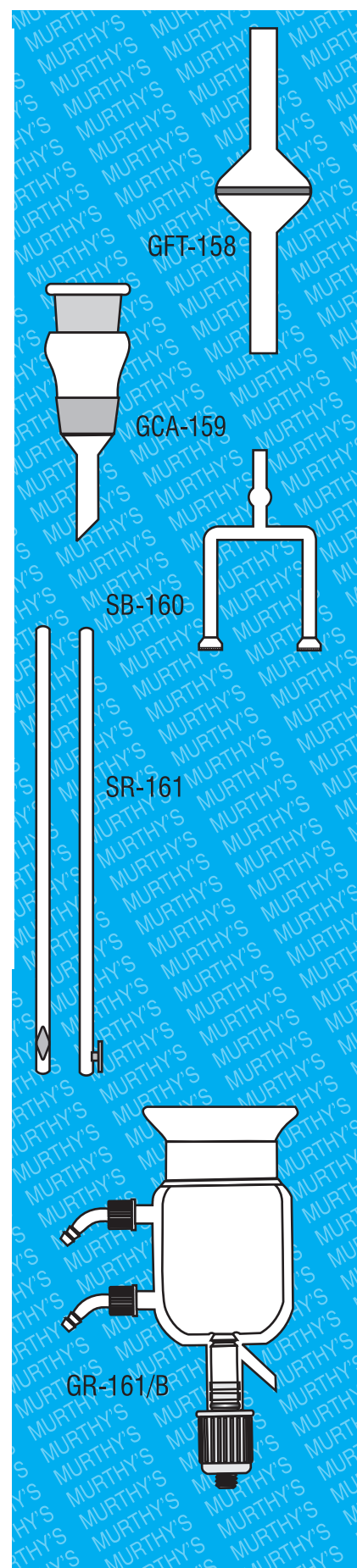
SR - 161 Stirrer Rod

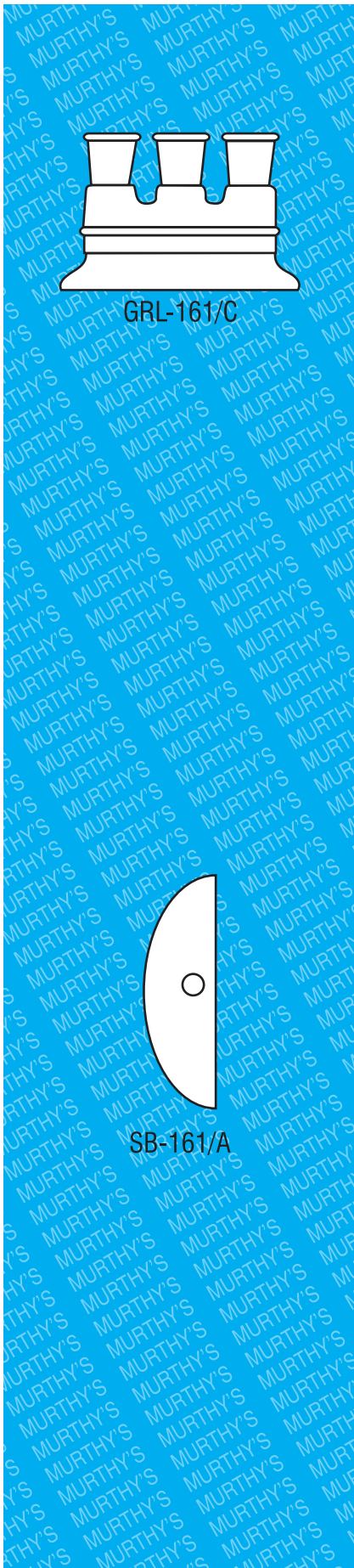
Cat. No.	Shaft Dia mm	Shaft Length mm
2313	6	500
2314	8	400
2315	8	450
2316	8	600
2317	9	450
2318	9	600
2319	10	450
2320	10	500
2321	10	600
2322	10	750
2323	12	750

(N.B: PTFE Shafts are under process please send your enquires.)

GR - 161/B Glass Reactors With LIDs

Cat. No.	Cap. ml
GR 1	100
GR 2	150
GR 3	250
GR 4	500
GR 5	1000
GR 6	2000
GR 7	3000
GR 8	5000





GRL - 161/C Glass Reactors Lids

Cat. No.	Flange Dia	Cap. ml
GRL 9	75mm	100
GRL 10	75mm	150
GRL 11	100mm	250
GRL 12	125mm	500
GRL 13	150mm	1000
GRL 14	150mm	2000
GRL 15	200mm	3000
GRL 16	200mm	5000

GRL - 161/C Stands for Glass Reactors

GR 1/a	100
GR 2/b	150
GR 3/c	250
GR 4/d	500
GR 5/e	1000
GR 6/f	2000
GR 7/g	3000
GR 8/h	5000

SB - 161/A Stirrer blades Teflon

Cat. No.	Cap. ml	Joint
2324	100	19/26
2325	150	19/26
2326	250	19/26
2327	500	24/29
2328	1000	24/29
2329	2000	24/29
2330	3000	24/29
2331	1000	29/32
2332	2000	29/32
2333	3000	29/32
2334	5000	29/32
2335	1000	34/35
2336	2000	34/35
2337	3000	34/35
2338	5000	34/35
2339	10 ltr	34/35
2340	20 ltr	34/35
2341	10 ltr	55/44
2342	20 ltr	55/44

Clamp For Reaction Flanges And Lids (SS-316)

Cat. No.	Dia mm
GRC 17	75
GRC 18	100
GRC 19	150
GRC 20	200

SG-162 Stirrer Guides (GLASS)

Cat. No.	To fit Shaft mm	Socket	Cone	Stem Length mm
2343	8	19/26	19/26	200
2344	8	24/29	24/29	350
2345	10	29/32	29/32	350
2346	12	34/35	34/35	350

MSG-163 Mercury seal Glands Combined with Guide (GLASS)

Cat. No.	To fit shaft mm	Cone	Stem length mm
2347	8	19/26	200
2348	8	24/29	200
2349	10	29/32	250
2350	12	34/35	300

MSG-164 Mercury Seal Glands, Glass

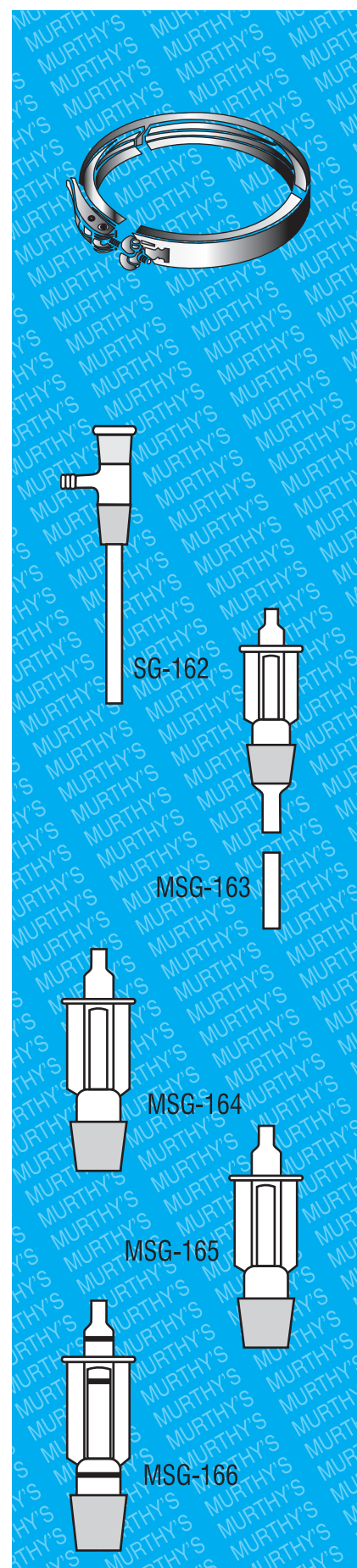
Cat. No.	To fit Shaft mm	Cone
2351	8	19/26
2352	8	24/29
2353	10	34/35
2354	12	55/44

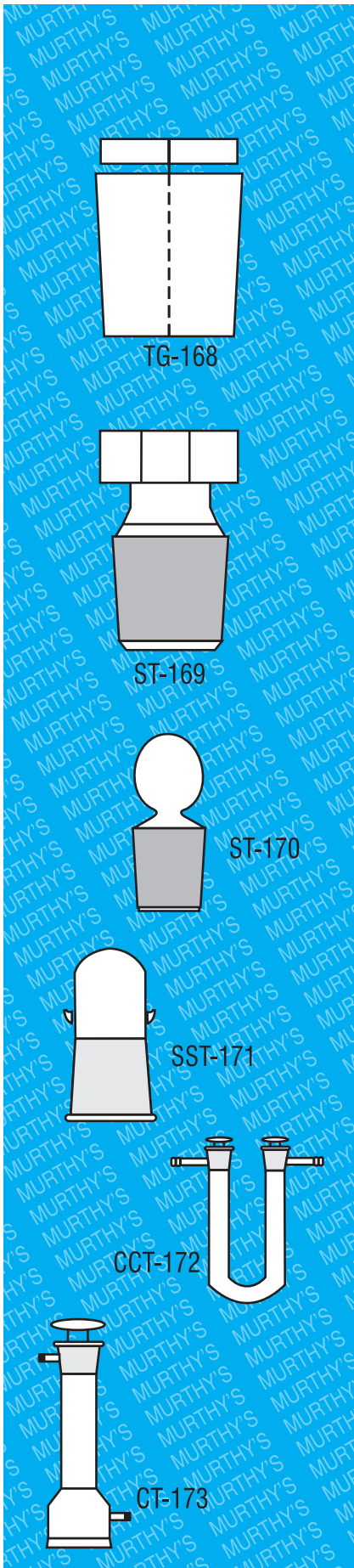
MSG-165 Mercury Seal Glands (PTFE)

Cat. No.	Bore mm	Cone
2355	8	19/26
2356	8	24/29
2357	10	34/35
2358	12	55/44

MSG-166 Mercury Seal Glands (PTFE) High Vacuum

Cat. No.	Bore mm	Cone
2359	8	19/26
2360	8	24/29
2361	10	34/35
2362	12	55/44





TG-168 Stuffing Box PTFE (Teflon Glands)

Cat. No.	Bore mm	Material	Cone
2368	6	PTFE	14/23
2369	6	PTFE	19/26
2370	8	PTFE	24/29
2371	8	PTFE	29/32
2371/a	8	PTFE	34/35
2372	10	PTFE	34/35
2373	12	PTFE	55/44

ST-169 Stoppers, B-SIZE

Cat. No.	Cone
2374	10/19
2375	14/23
2376	19/26
2377	24/29
2378	29/32
2379	34/35
2380	40/38
2381	45/40
2382	50/42
2383	55/44

ST-170 Stoppers, "C" Type

Cat. No.	Cone
2284	10/15
2385	14/15
2386	19/20
2387	24/23

SST-171 Socket Caps, with Hooks

Cat. No.	Cone
2388	10/19
2389	14/23
2390	19/26
2391	24/26

CCT - 172 Calcium Chloride Tubes, U-Form with Side Tube & Stopper

Cat. No.	Len x Dia mm	Socket
2392	100 x 14	10/19
2393	125 x 16	12/21
2394	150 x 18	14/23

CT - 173 Calcium Chloride Cylinders

Cat. No.	Len x Dia mm	Socket
2395	250 x 40	34/35
2396	300 x 40	34/35

CT - 174 Connection tubes, T Shape

Cat. No.	Len x Dia mm
2397	40 x 6
2398	50 x 8
2399	60 x 10
2400	80 x 12

ST - 175 Sealed Tube (Heavy Wall)

Cat. No.	Dia.mm	Height mm
2401	28	125
2402	33	150
2403	38	200

TV-176 Titration Vessels for Auto Titrator

Cat. No.
2404

MM-177 Manometer (All Types)

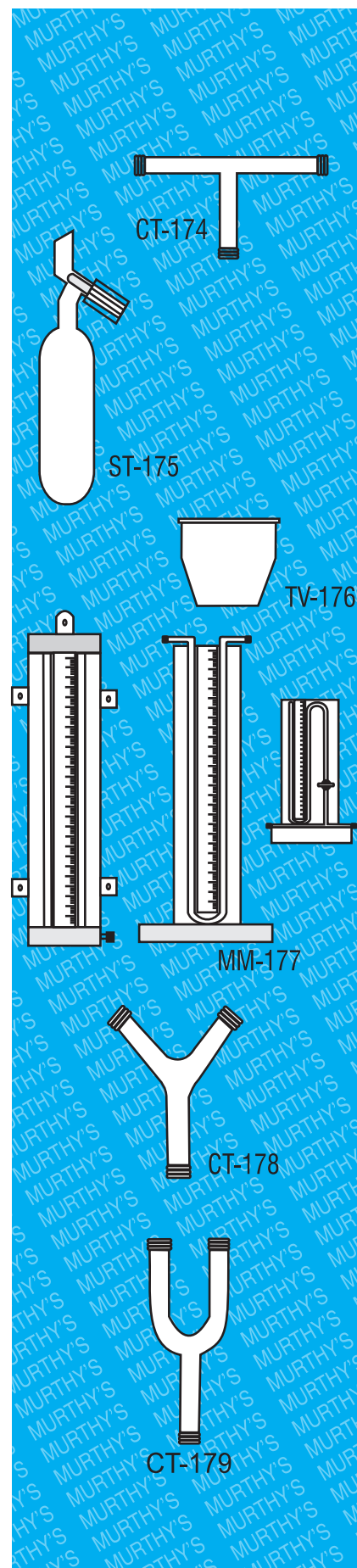
Cat. No.	
2405	Monometer 0-300 cms mercury filled benett model with wooden stand.
2405/a	Monometer 0-300 cms mercury filled benett model with alluminium stand.
2405/b	Monometer 300-0-300 cms mercury filled benett model with wooden stand.
2405/c	Monometer 300-0-300 cms mercury filled benett model with alluminium stand.
2406	Monometer 150-0-150 cms mercury filled benett model with wooden stand.
2406/a	Monometer 150-0-150 cms mercury filled benett model alluminium stand.
2407	Monometer 200-0-200 cms mercury filled benett model with wooden stand.
2407/a	Monometer 200-0-200 cms mercury filled benett model with alluminium stand.

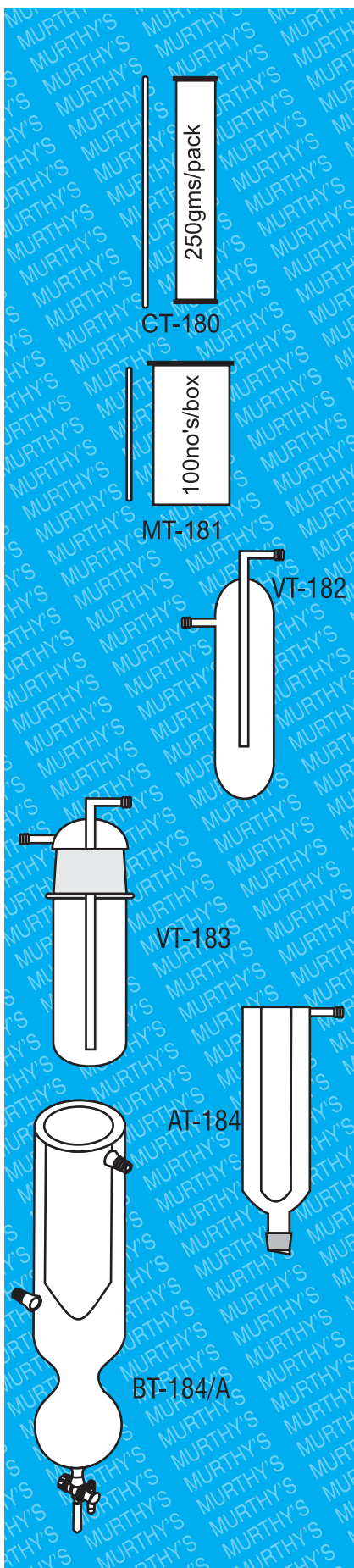
CT - 178 Connection tubes, Y Shape

Cat. No.	Len x Dia mm
2408	40 x 6
2409	50 x 8
2410	60 x 10
2411	80 x 12

CT - 179 Connection tubes, U Shape

Cat. No.	Len x Dia mm
2412	40 x 6
2413	50 x 8
2414	60 x 10
2415	80 x 12





CT-180 TLC Capillary Tubes

Cat. No.	Inches
2416	10"

Aq. Capillaries Graduated Box Of 250 Nos

Cat. No.	Cone
2417	5 μ (Five Mark)
2418	10 μ (Two Mark)

MT-181 Melting point Tubes (Both end open/One end close)

Cat. No.	Length in mm
2419	80mm
2420	100mm

VT-182 Vacuum Traps (Glass)

Cat. No.	Cap. ml
2421	25
2422	50
2423	100
2424	250
2425	500
2426	1000

VT-183 Vacuum Traps (Glass) Detachable

Cat. No.	Cone	Cap ml.
2427	24/29	25
2428	24/29	50
2429	29/32	100
2430	34/35	250
2431	34/35	500
2432	55/44	1000

AT-184 Ammonia Trap

Cat. No.	Cap. ml	Cone
2433	250	24/29
2434	500	24/29
2435	1000	29/32
2436	2000	34/35

BT-184/A Buchi Trap

Cat. No.	Cap. ml
501	250
502	500
503	1000
504	2000

BP-185 Burette Plain with Screw Cock

Cat. No.	Cap. ml
2436/A	10
2436/B	25
2436/C	50

BP - 186 Burette Plain with Glass Stop Cock

Cat. No.	Cap. ml
2436/D	10
2436/E	25
2436/F	50

BP - 187 Burette Plain with Glass /Screw Cock Class A

Cat. No.	Cap. ml
2436/G	10
2436/H	25
2436/I	50

PD - 188 Petri dishes MURTHYS

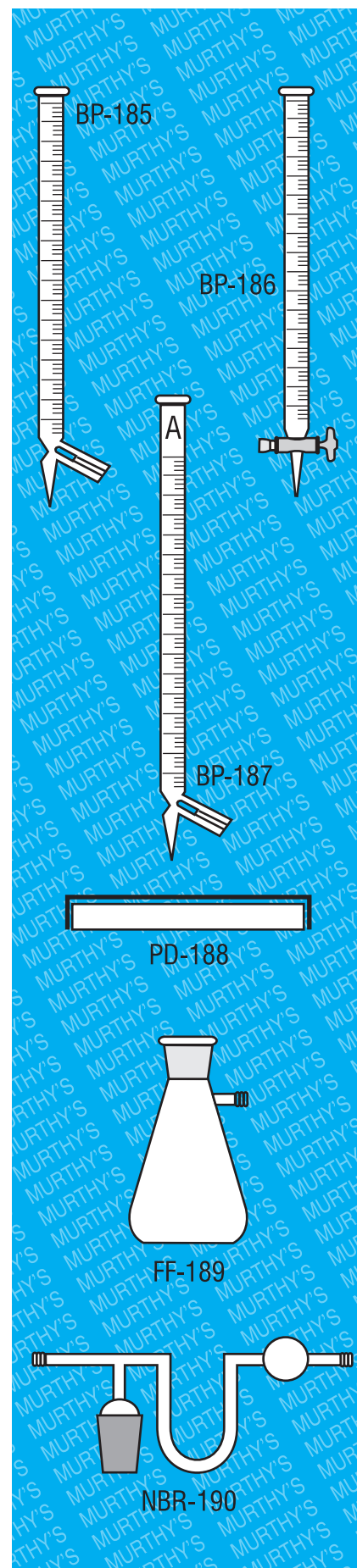
Cat. No.	Dia mm
378	50
379	75
380	100
381	150
382	200

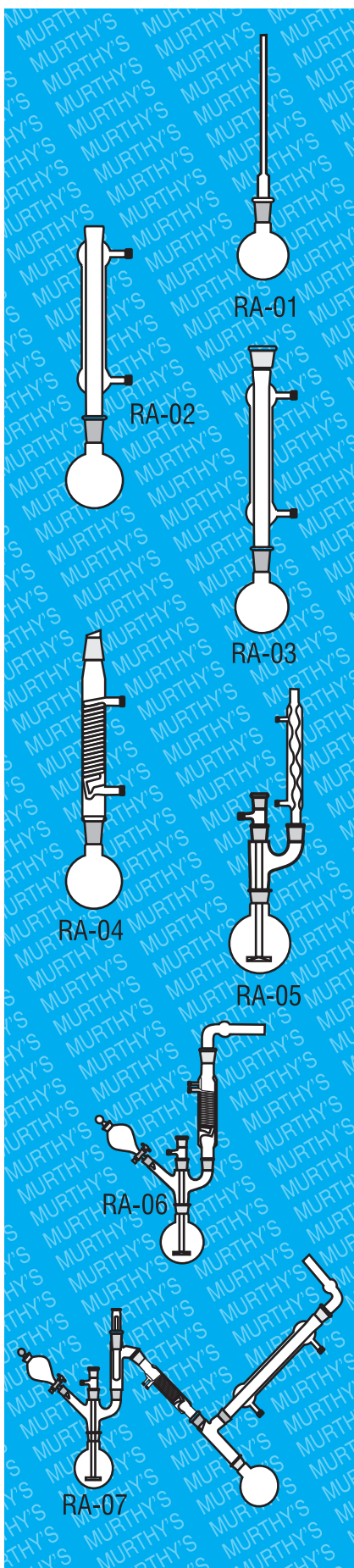
FF-189 Filtration Flask WITH STANDARD JOINT MURTHYS

Cat. No.	SOCKET	Cap ml
383	14/23	50
384	14/23	100
385	19/26	250
386	24/29	500
387	24/29	1000
387/a	34/35	2000

NBR-190 Nitrogen Bubbler with joints

Cat. No.	Cone
388	14/23
389	19/26
390	24/29
391	29/32





RA - 01 Reflux Assembly

Cat. No.	Components
2437	R. B. flasks 100ml, Air condenser 500 ml

RA - 02 Reflux Assembly

Cat. No.	Components
2438	R.B. flask 100 ml, Liebig condenser, 300 mm
2439	R.B. flask 250 ml, Liebig condenser, 400 mm
2440	R.B. flask 500 ml, Liebig condenser, 500 mm

RA - 03 Reflux Assembly

Cat. No.	Components
2441	R.B. flask 100 ml, Liebig condenser, 300 mm
2442	R.B. flask 250 ml, Liebig condenser, 400 mm
2443	R.B. flask 500 ml, Liebig condenser, 500 mm

RA - 04 Reflux Assemblies

Cat. No.	Components
2444	R.B. flask 1Ltr,(24/29 neck), Reversible condenser
2445	R.B. flask 1Ltr,(34/35 neck), Reversible condenser

RA - 05 Reflux Assemblies

Cat. No.	Components
2446	R.B. flasks 50 ml, Multiple Adapter two necks, Stirrer guide, Rubber Sleeve gland Link Stirrer, 45 mm, Vertical align condenser, 300 mm

RA - 06 Reflux Assemblies

Cat. No.	Components
2447	R.B. flasks 100 ml, Multiple Adapter, three necks, Stirrer guide, Rubber Sleeve Gland, Collapsible paddle Stirrer, 450 mm, Coil Condenser, 150 mm

RA - 07 Reflux Assemblies

Cat. No.	Components
2448	Round Bottom flask 100 ml Multiple adapter three necks Mercury seal gland, Fixed paddle, stirrer 600mm, stillhead, Thermometer with P.T.F.E. cone receiveradapter, jacketed coil Condenser 150 mm, Receiveradapter bent with socket connection, Round bottom flask 250 ml, Liebig condenser 400 mm, Drying tube, separating funnel 250 ml, Stopper.