

GPOA - 005 Adaptors Offset With Grip seal socket

Cat. No.	Grp - Socket	Bottom Cone
2655	24/40	34/45
2656	29/42	29/42
2657	29/42	34/45

GPOA-006 Adaptors Offset with Gripseal socket & Driptip.

Cat. No.	Grp - Socket	Bottom Cone
2658	14/35	14/35
2659	14/35	19/38
2660	14/35	24/40
2661	19/38	19/38
2662	19/38	24/40
2663	19/38	29/40
2664	24/40	24/40
2665	24/40	29/42
2666	24/40	29/42
2667	29/42	29/42
2668	29/42	34/45

GPSA-007 Straight Adapters with Gripseal Socket & Driptip.

Cat. No.	Grp - Socket	Bottom Cone
2669	14/35	14/35
2670	19/38	19/38
2671	24/40	24/40
2672	29/42	29/42
2673	34/45	34/45

GPSA-008 Adapters Fitted with Sintered G2 Disc with Grip seal Socket

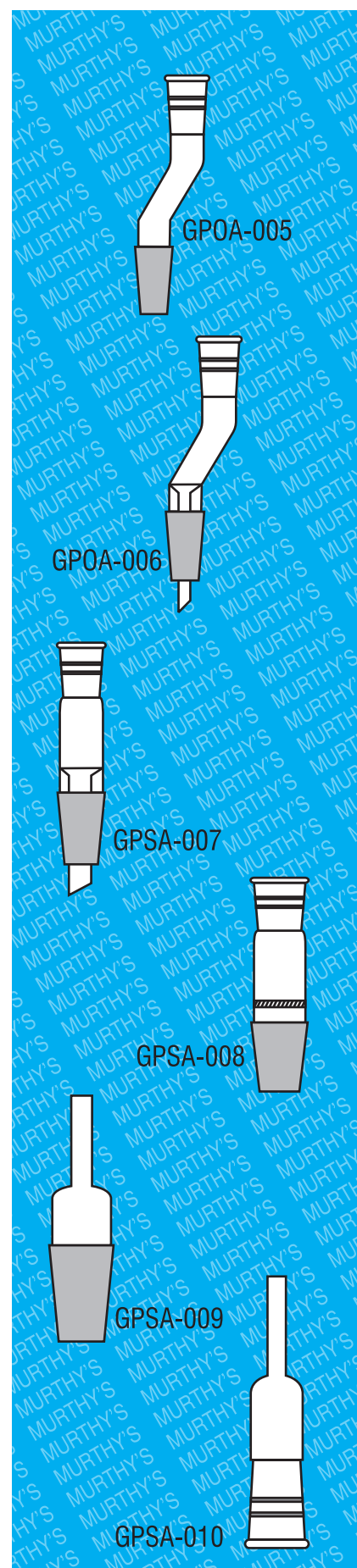
Cat. No.	Grp - Socket	Bottom Cone
2674	24/40	24/40
2675	24/40	29/42

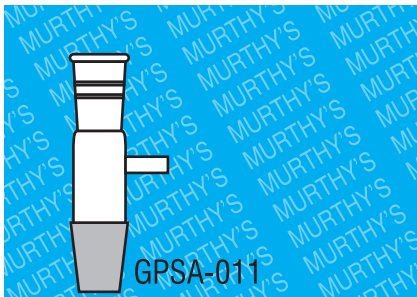
GPSA-009 Adapters Septum Standard Male

Cat. No.	Grp - Cone
2676	10/30
2677	14/35
2678	19/38
2679	24/40
2680	29/42

GPSA- 010 Adapters Septum Standard Female

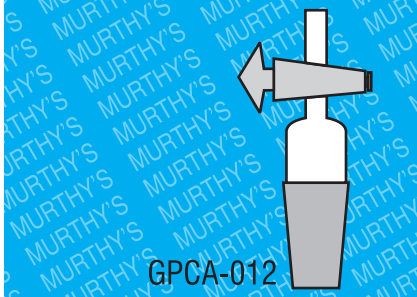
Cat. No.	Grp - Socket
2681	10/30
2682	14/35
2683	19/38
2684	24/40
2685	29/42





GPCSA-011 Adapters Septum Inline.

Cat. No.	Grp - Socket	Grp - Cone
2686	10/30	10/30
2687	14/35	14/35
2688	19/38	19/38
2689	24/40	24/40
2690	29/42	29/42
2691	34/45	34/45



GPCA-012 Adapters Septum with Glass Stop cock

Cat. No.	Grp - Cone
2692	14/35
2693	19/38
2694	24/40
2695	29/42
2696	34/45



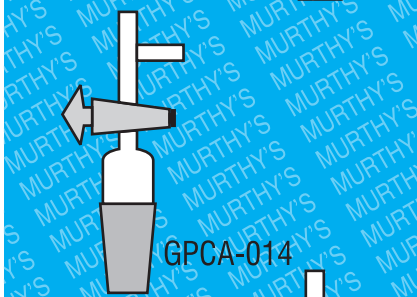
Dewar flasks low form (hemispherical)

Cat. No.	Cap. ml	ID cm	Depth cm
2697	100	7	3
2698	150	8	4
2699	275	10/12	5/6
2700	600	14/16	7/8



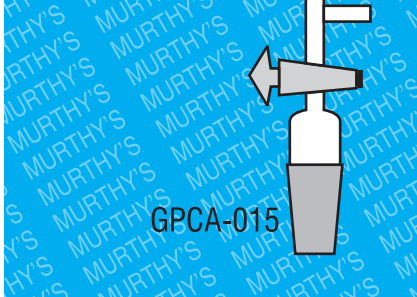
GPCA-013 Adaptors Septum with PTFE s/c

Cat. No.	Grp - Cone
2701	14/35
2702	19/38
2703	24/40
2704	29/42
2705	34/45



GPCA-014 Adaptors Septum with side arm glass s/c

Cat. No.	Grp - Cone
2706	14/35
2707	19/38
2708	24/40
2709	29/42
2710	34/45



GPCA-015 Adaptors Septum with side arm p.t.f.e. s/c

Cat. No.	Grp - Cone
2711	14/35
2712	19/38
2713	24/40
2714	29/42
2715	34/45

GPFA-016 Adapters High Dilution

Cat. No.	Grp - Socket	Grp - Cone
2716	14/35	14/35
2717	19/38	19/38
2718	24/40	24/40
2719	29/42	29/42

GPFA-017 Adapters Splash Protector

Cat. No.	Grp - Socket	Grp - Cone
2720	19/38	19/38
2721	24/40	24/40
2722	24/40	24/40
2723	24/40	14/35
2724	24/40	19/38
2725	29/42	29/42
2726	29/42	29/42
2727	29/42	24/40

GPFA-018 Adaptors Splash Protector

Cat. No.	Grp - Socket	Grp - Cone
2728	19/38	19/38
2729	24/40	24/40
2730	29/42	29/42

GPVA-019 Adapters vacuum Distilling

Cat. No.	Grp - Socket	Grp - Cone
2731	19/38	19/38
2732	24/40	24/40
2733	29/42	29/42

GPVA-020 Adapters vacuum Distilling

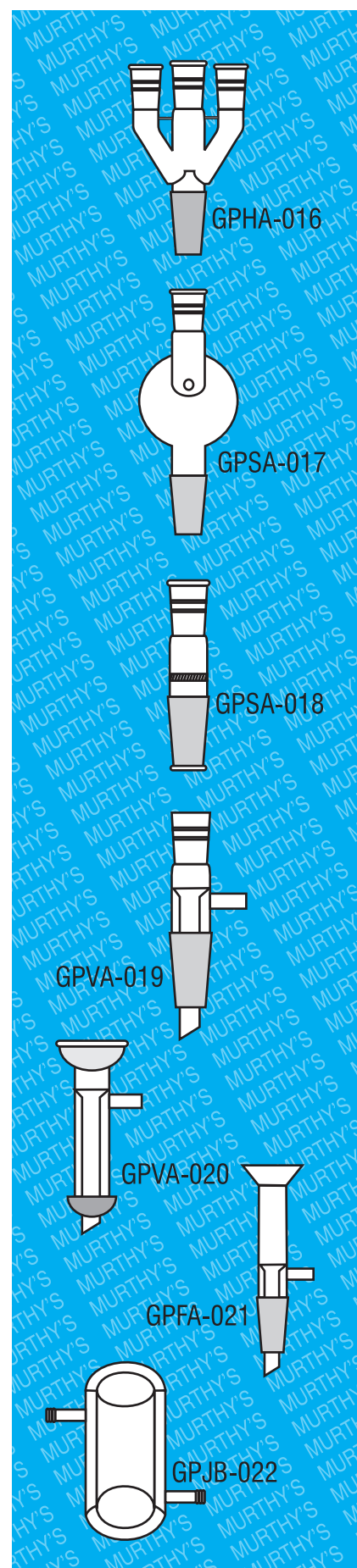
Cat. No.	S - Cup	S - Ball
2734	S-19	S-19
2735	S-35	S-35
2736	S-51	S-51

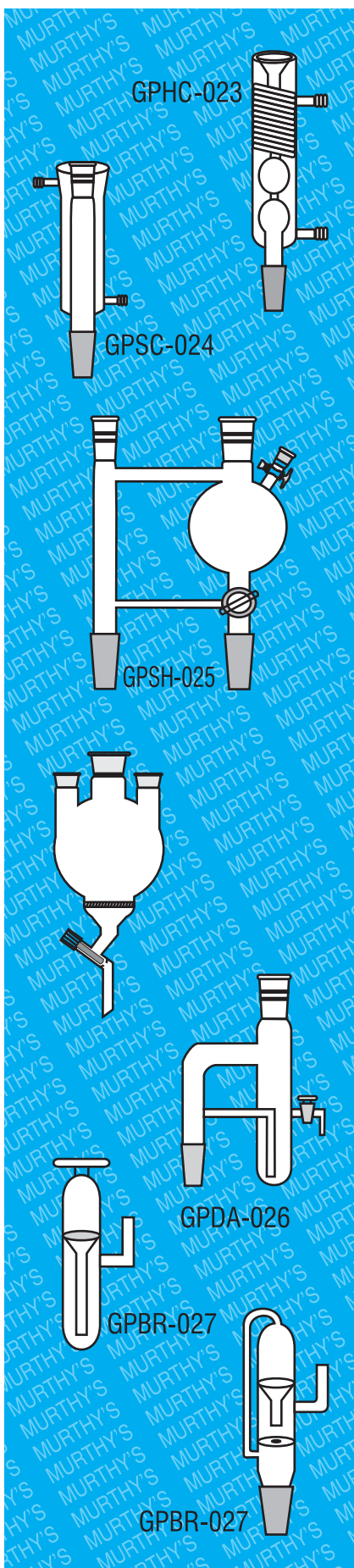
GPFA-021 Adapters vacuum Filtration

Cat. No.	Grp - Cone
2737	14/20
2738	19/38
2739	24/40
2740	29/42

GPJB-022 Jacked Beakers

Cat. No.	ID X Height	Cap ml
2741	26X95	50
2742	36X95	100
2743	56X100	250





GPHC-023 Hartzlar Condenser

Cat. No.	Grp - Cone	Length mm
2744	19/38	400
2745	24/40	400
2746	29/42	400

GPSC-024 Short Condenser

Cat. No.	Grp - Cone	Length mm
2747	19/38	200
2748	19/38	300
2749	24/40	200
2750	24/40	300

GPSH-025 Solvent Still Head

Cat. No.	Grp - Cone	Cap ml
2751	19/38	250
2752	19/38	500
2753	24/40	1000
2754	24/40	250
2755	24/40	500
2756	24/40	1000

Peptide synthesis flasks four neck

Cat. No.	Cap ml	Grp - Socket	Por
2757/a	250	19/26, 24/29	1,2,3,4
2757/b	500	19/26, 24/29	1,2,3,4
2757	1,000	24/40	1,2,3,4
2758	5,000	34/45	1,2,3,4
2759	10,000	45/50	1,2,3,4

GPDS-026 Dean and Stark Apparatus

Cat. No.	Grp - Socket	Cap ml
2760	24/40	25
2761	24/40	50
2762	24/40	100

GPBR-027 Bubbler

Cat. No.	Cap ml
2763	50
2764	100
2765	150
2766	250

GPBR-027 Bubbler with joints

Cat. No.	Grp - Cone	Cap ml
2767	24/40	50
2768	24/40	100
2769	24/40	150
2770	24/40	250

GPFP-028 Angled Powder Funnel

Cat. No.	Grp - Cone	Dia mm
2771	19/38	75
2772	24/40	75
2773	19/38	100
2774	24/40	100

VF-029 Volumetric Flask with l/c stopper Class "A"

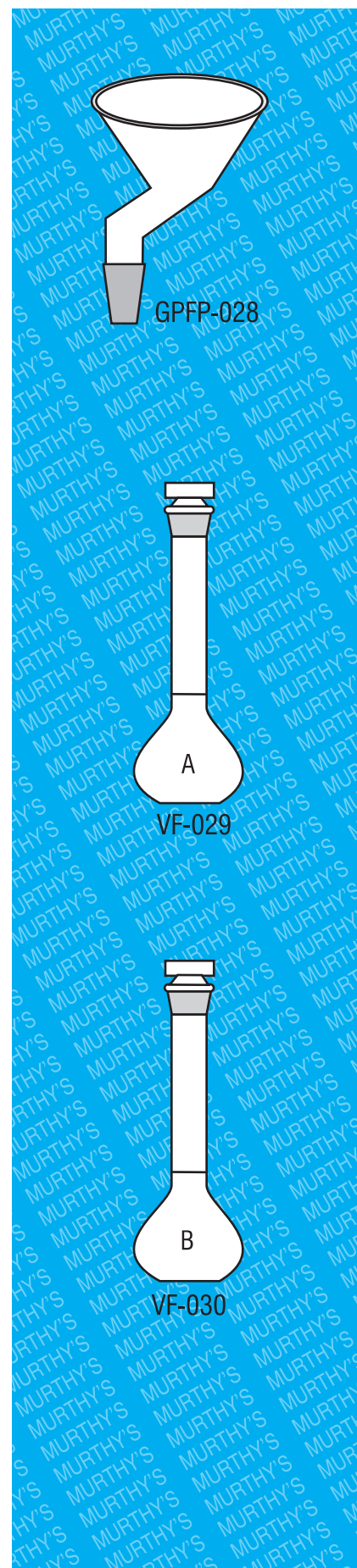
Cat. No.	Cap.ml	Socket
2783	5	10/15
2784	10	10/15
2785	25	10/15
2786	50	10/15
2787	100	14/15
2788	250	14/15
2789	500	19/20
2790	1,000	24/20
2791	2,000	24/20

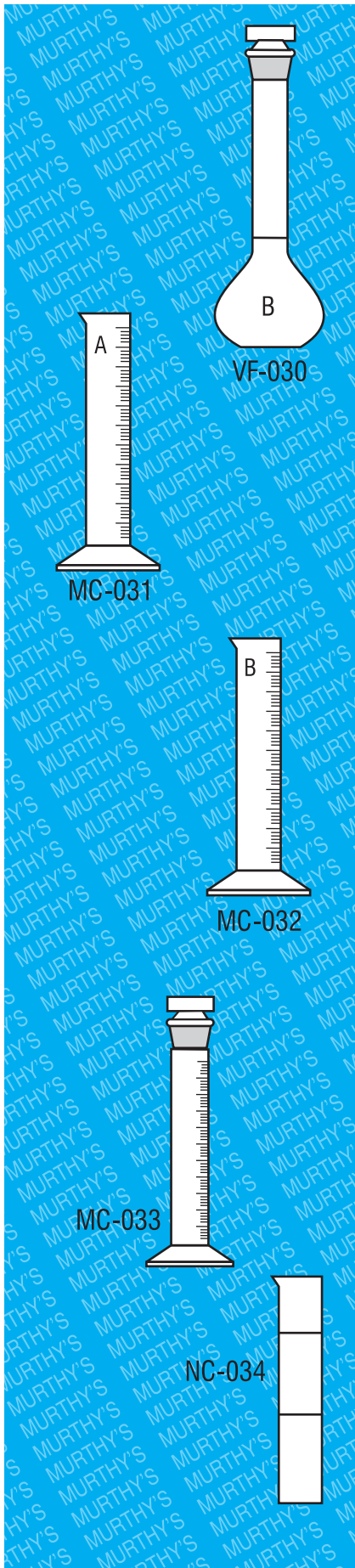
VF-029 Volumetric Flask with l/c stopper Class "A" (Amber Color)

Cat. No.	Cap.ml	Socket
2783/a	5	10/15
2784/a	10	10/15
2785/a	25	10/15
2786/a	50	10/15
2787/a	100	14/15
2788/a	250	14/15
2789/a	500	19/20
2790/a	1,000	24/20
2791/a	2,000	24/20

VF-030 Volumetric Flask with l/c stopper Class "B"

Cat. No.	Cap.ml	Socket
2792	5	10/15
2793	10	10/15
2794	25	10/15
2795	50	10/15
2796	100	14/15
2797	250	14/15
2798	500	19/20
2799	1000	24/20
2800	2000	24/20





VF-030 Volumetric Flask with I/c stopper Class "B" (Amber)

Cat. No.	Cap.ml	Socket
2792/a	5	10/15
2793/a	10	10/15
2794/a	25	10/15
2795/a	50	10/15
2796/a	100	14/15
2797/a	250	14/15
2798/a	500	19/20
2799/a	1,000	24/20
2800/a	2,000	24/20

MC-031 Measuring Cylinder Medium wall Class "A" with Safety Rings

Cat. No.	Cap.ml
2801	10
2802	25
2803	50
2804	100
2805	250
2806	500
2807	1000

MC-032 Measuring Cylinder Medium wall Class "B" with Safety Rings

Cat. No.	Cap.ml
2808	10
2809	25
2810	50
2811	100
2812	250
2813	500
2814	1000
2814/a	2000

MC-033 Measuring Cylinder with I/c Stopper Class "B"

Cat. No.	Cap ml
2815	10
2916	25
2817	50
2818	100
2819	250
2820	500
2821	1000

NC-034 Nessler Cylinder Class "B"

Cat. No.	Cap ml
2822	50
2823	100

CR-035 Crow Receivers Class "B"

Cat. No.	Cap ml
2824	25
2825	50
2826	100

GP-036 Pipettes Graduated, Mohr Class "A"

Cat. No.	Cap ml
2827	0.1
2828	0.2
2829	0.5
2830	1
2831	2
2832	5
2833	10
2834	25

VP-037 Pipettes Volumetric Class "B"

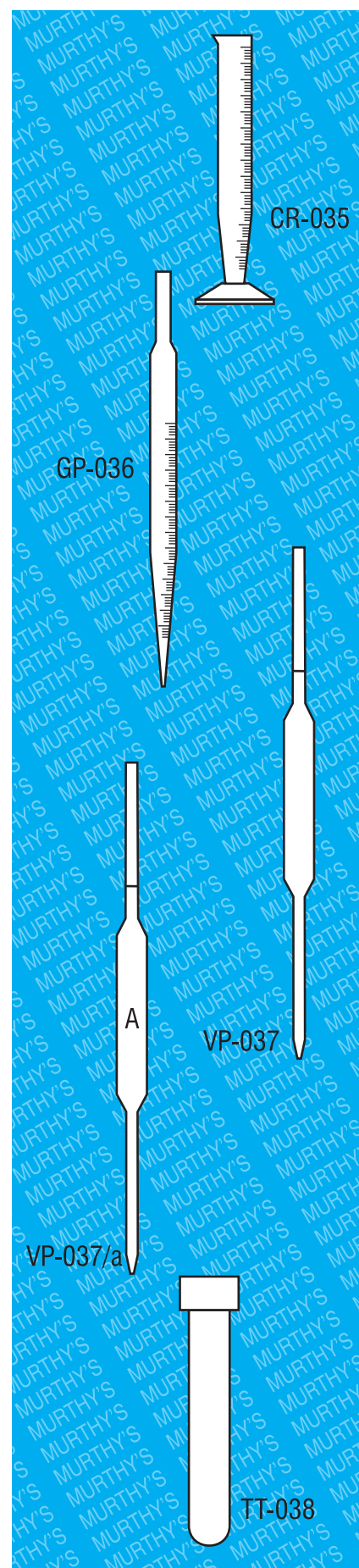
Cat. No.	Cap ml
2835	1
2836	2
2837	5
2838	10
2839	20
2840	25
2841	50

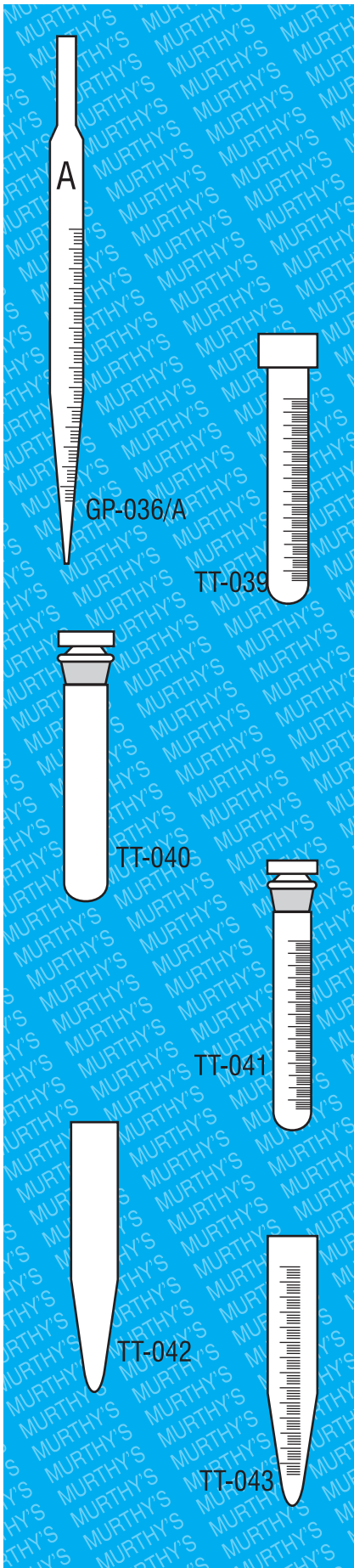
VP-037/a Pipettes Volumetric Class "A"

Cat. No.	Cap ml
2835/a	1
2836/a	2
2837/a	5
2838/a	10
2839/a	20
2840/a	25
2841/a	50

TT-038 Test Tubes with Screw cap Plain

Cat. No.	Cap ml
2842	5
2843	10
2844	20
2845	30
2846	40
2847	50
2848	100





GP-036/A Pipettes Graduated, Mohr Class "A"

Cat. No.	Cap ml
2834/A	1
2834/B	2
2834/C	5
2834/D	10
2834/E	25

VP-037 Pipettes Volumetric Class "B"

TT-039 Test Tubes with Screw cap Graduated

Cat. No.	Cap ml
2849	5
2850	10
2851	20
2852	30
2853	40
2854	50
2855	100

TT-040 Test Tube with Stopper Plain

Cat. No.	Cap ml
2856	10
2857	20
2858	30
2859	40
2860	50
2861	100

TT-041 Test tube with Stopper Graduated

Cat. No.	Cap ml
2862	10
2863	20
2864	30
2865	40
2866	50
2867	100

TT-042MAC/042 Centrifugal Tubes Plain

Cat. No.	Cap ml
2868	10
2869	15
2870	50

TT-043 Centrifugal Tubes Graduated

Cat. No.	Cap ml
2871	10
2872	15
2873	50

TT-044 Centrifugal Tubes Stoppered plain

Cat. No.	Cap ml
2874	10
2875	15
2876	50

TT-045 Test Tube Plan with or without Rim

Cat. No.	Dia x Height mm
2877	10x75
2878	12x75
2879	12x100
2880	15x125
2881	15x150
2882	18x150
2883	25x100
2884	25x150
2885	25x200
2886	32x200
2887	38x200
2888	40x200

TT-046 Centrifugal Tubes Stoppered Graduated

Cat. No.	Cap ml
2889	10
2890	15
2891	50

GB-048 Specific Gravity Bottles 1/c Stopper °B'

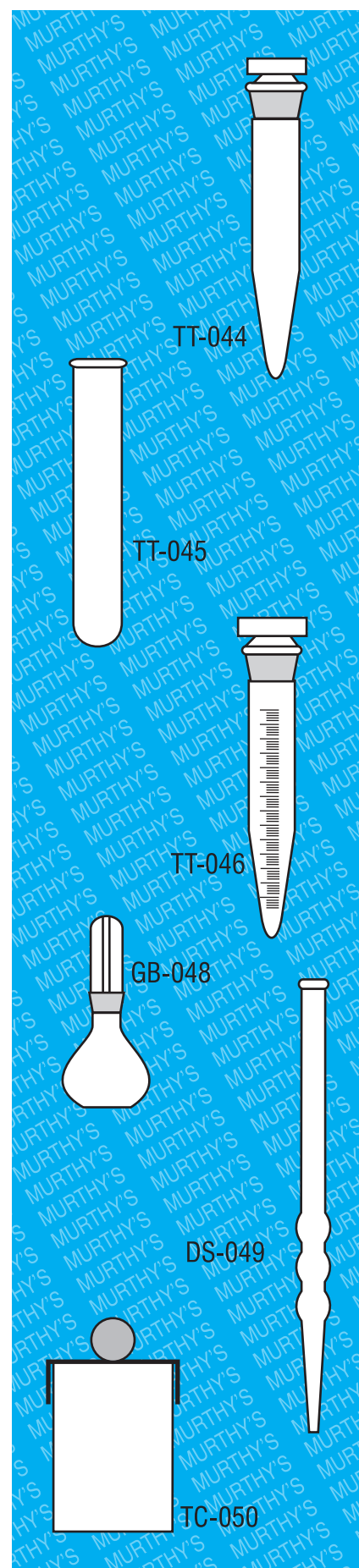
Cat. No.	Cap ml
2901	25
2902	50

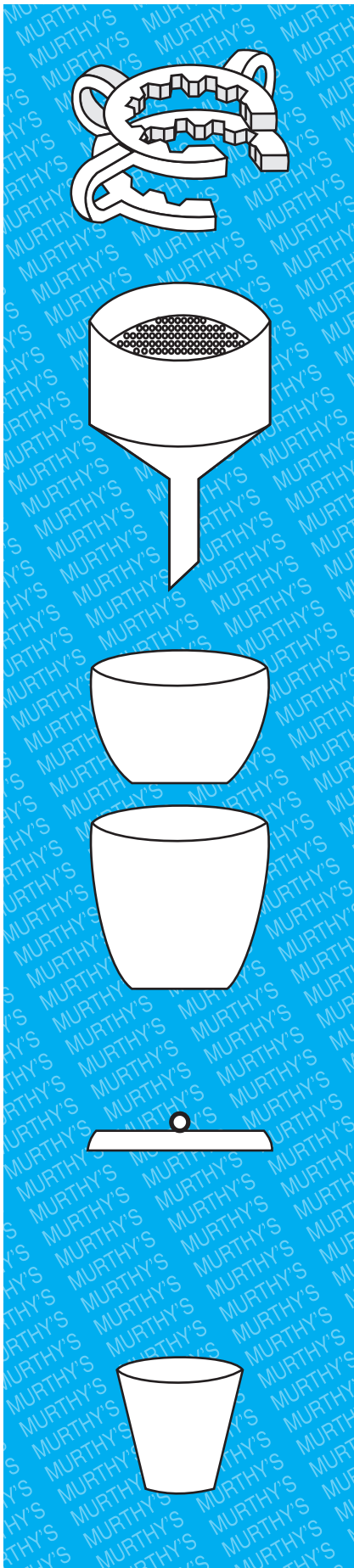
DS-049 Drum Samplers Glass

Cat. No.	Length in feet.
2903	2'
2904	3'
2905	4'
2906	5'

TC-050 T.L.C. Chambers with Lid

Cat. No.	Dia x Height in mm
2907	40x100
2908	50x100
2909	60x100
2910	65x105
2911	80x120





CL-051 Murthy's Standard Tapered Clips (Plastic)

Cat. No.	Joint size
2911/a	B-14
2912	B-19
2913	B-24
2914	B-29

Buchner Funnel (Ceramic)

Cat. No.	Inches	Dia mm
01	1"	35
02	2"	50
03	2,1/2"	60
04	3"	75
05	4"	100
06	5"	125
07	6"	150
08	8"	200
09	10"	250
10	12"	300

Silica Crucible Regular form and tall form

Cat. No.	Cap
11	Regular Form 15ml
12	Regular Form 25 ml
13	Regular Form 50 ml
14	Regular Form 80 ml
15	Regular Form 100 ml
16	Regular Form 150 ml
17	Tall Form 15 ml
18	Tall Form 30 ml
19	Tall Form 50 ml

Silica Crucible Lids fused

Cat. No.	Cap ml
20	15
21	25
22	50
23	80
24	100
25	150

Silica Gooch Crucible fused

Cat. No.	Cap ml
26	20
27	30
28	50